



INSTRUCTION BULLETIN

No. 9010956
Machine: T12
Published: 02-2013
Rev. 00

NOTE: DO NOT DISCARD the Parts List from the Instruction Bulletin. Place the Parts List in the appropriate place in the machine manual for future reference. Retaining the Parts List will make it easier to reorder individual parts and will save the cost of ordering an entire kit.

NOTE: Numbers in parenthesis () are reference numbers for parts listed in Bill of Materials.

Installation instructions for **kit number 9009870**

SYNOPSIS:

This kit contains the parts needed to install a Flow-Rite™ battery watering system onto T12 scrubbers.

Please follow step-by-step instructions.

SPECIAL TOOLS / CONSIDERATIONS: NONE

(Estimated time to complete: 2 hours)



PROTECT THE ENVIRONMENT

Please dispose of packaging materials, old machine components, and hazardous fluids in an environmentally safe manner according to local waste disposal regulations.



Always remember to recycle.

PREPARATION:

1. Park the machine on a clean level surface, turn off the machine, and remove the key.

FOR SAFETY: Before leaving or servicing machine, stop on level surface, turn off machine, and remove key.

2. Open the operator seat and lock seat into the open position.
3. Disconnect the battery connector from the machine.



WARNING: Always disconnect battery cables from machine before working on electrical components.

Flow-Rite is a registered trademark of Flow-Rite Controls

INSTALLATION:

FOR SAFETY: When servicing machine, avoid contact with battery acid.



For Safety: wear protective gloves.



For Safety: wear eye protection.

1. Remove all the caps from all the batteries. Discard the battery caps. (Fig. 1)

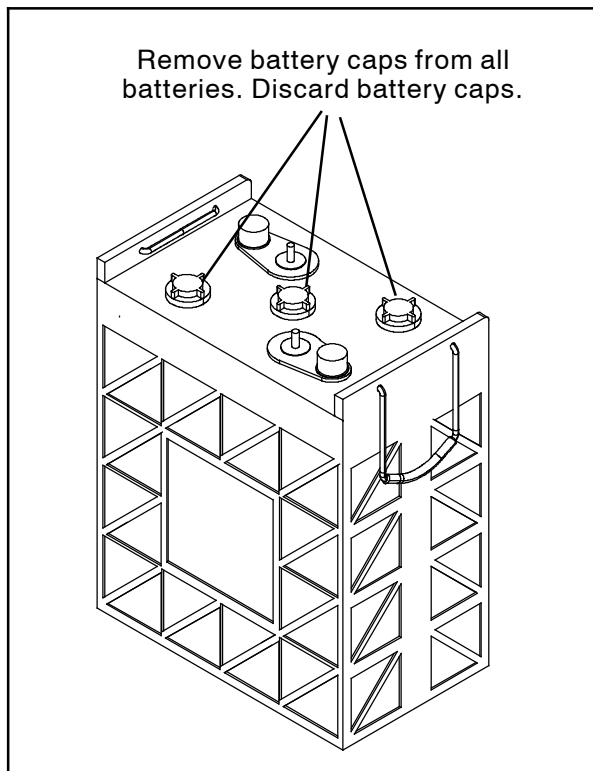


FIG. 1

2. Install the battery watering system (1) floats into the batteries. (Fig. 3)
3. Cut the battery watering system (1) hoses to length. (Fig. 2 / Fig. 3)

4. Install the battery watering system (1) hoses onto the floats. (Fig. 2 / Fig. 3)

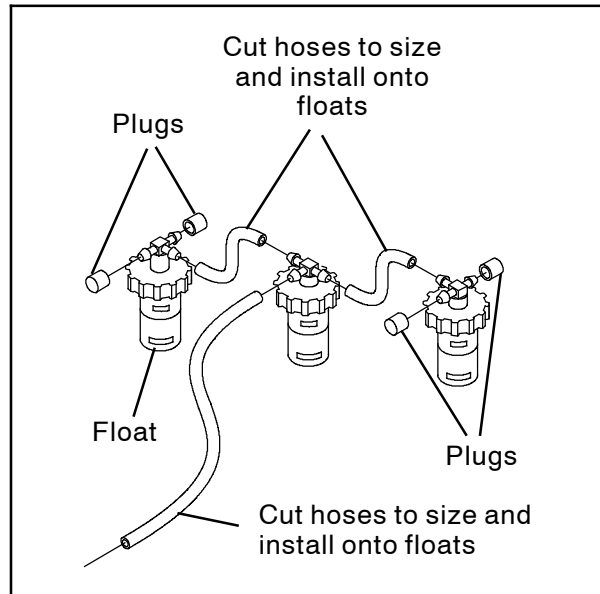


FIG. 2

5. Install the battery watering system (1) plugs onto the remaining open ports on the floats. (Fig. 2 / Fig. 3)
6. Test the newly installed battery watering system. Refer to the *FLOW-RITE™ BATTERY WATERING SYSTEM (OPTION)* section of the Operator Manual for instructions how to operate the battery watering system.
7. Place the water regulator valve (2) in a safe storage location for later use.

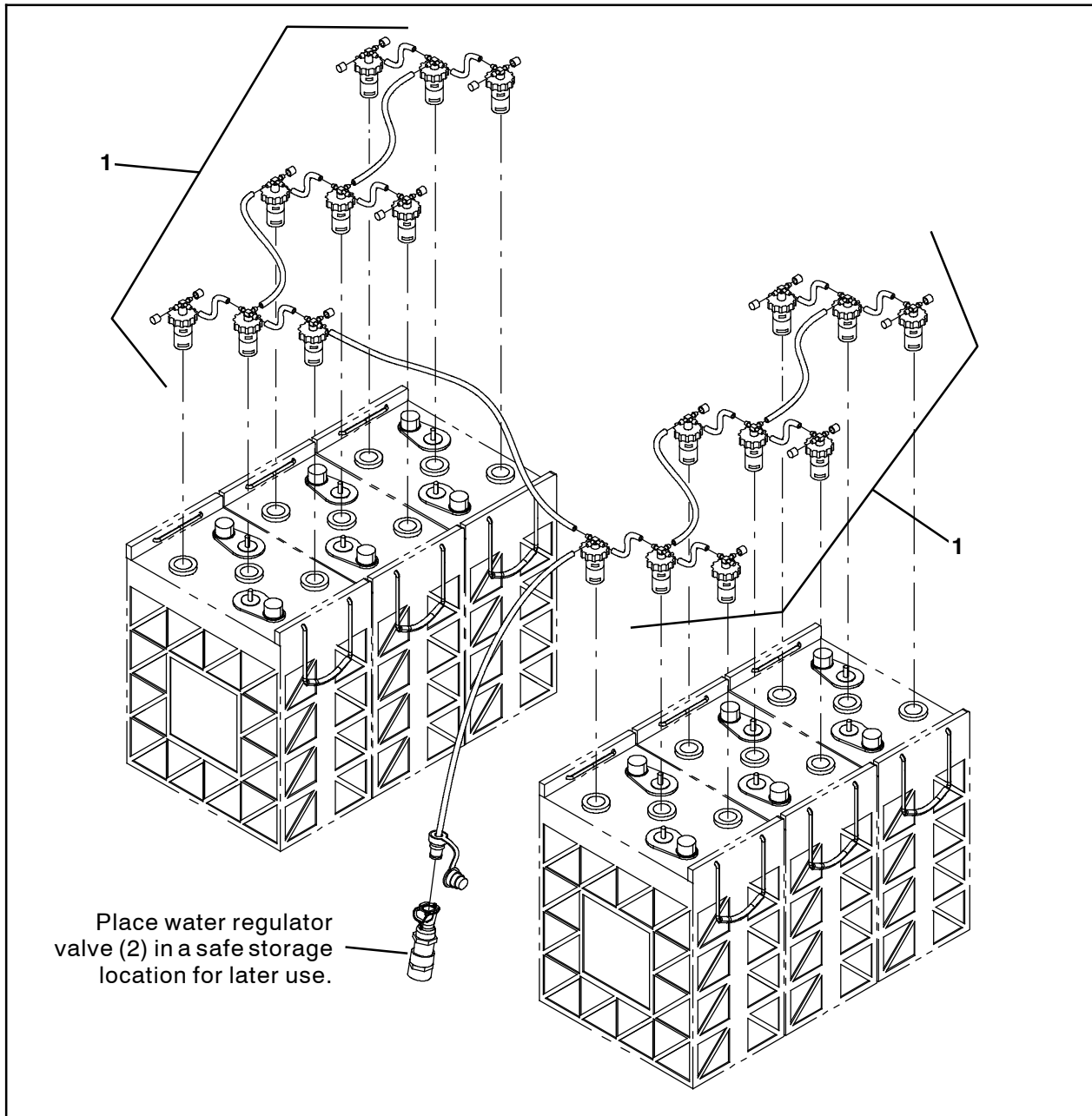


FIG. 3

Bill Of Materials For Manifold Kit, Sys, Water, Battery, DI - 9009870

Ref.	Tennant Part No.	Description	Qty.
▽	9009870	Manifold Kit, Sys, Water, Battery, DI	1
▲ 1	1060756	Manifold, Sys, Water, Battery	1
▲ 2	1061926	Valve, Reg, Water	1

TENNANT COMPANY
P. O. Box 1452
Minneapolis, MN 55440-1452